

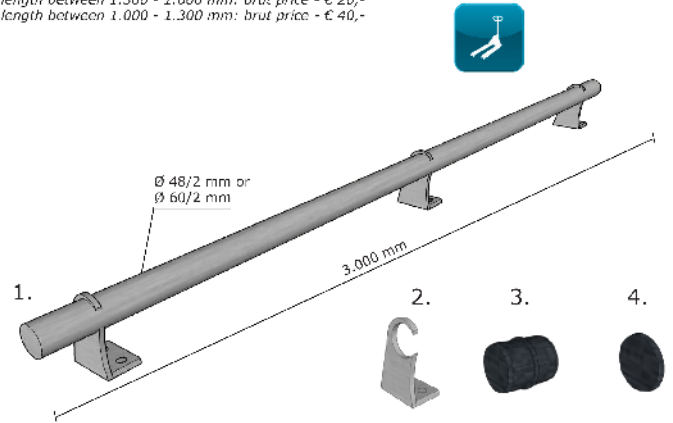
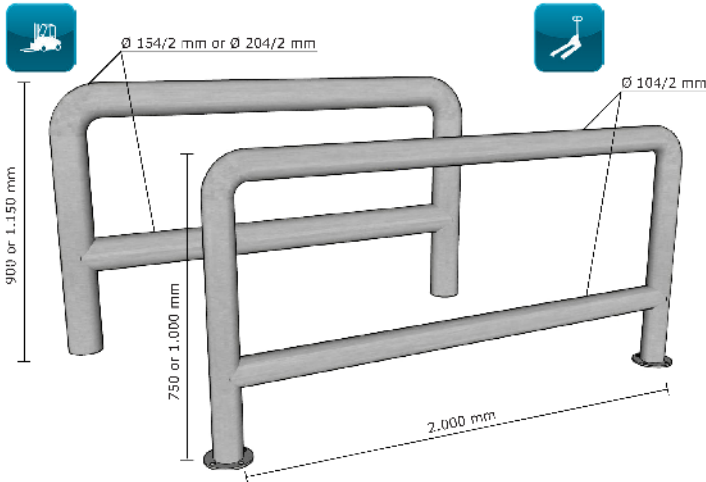
Art. Nr.:	Without footplate*	With footplate
P 750/ 104	€ 126,66/pc	€ 204,72/pc
P 1000/ 104	€ 136,85/pc	€ 214,92/pc
P 1000/ 154	€ 213,39/pc	€ 334,82/pc
P 750/ 204	€ 276,94/pc	€ 440,20/pc
P 1000/ 204	€ 293,54/pc	€ 456,81/pc

Art. Nr.:	Without footplate*	With footplate
H 750/ 104	€ 430,28/pc	€ 557,83/pc
H 1000/ 104	€ 440,47/pc	€ 568,01/pc
H 750/ 204	€ 727,04/pc	€ 968,37/pc
H 1000/ 204	€ 790,82/pc	€ 1.032,14/pc

* 750 or 1.000 mm above the floor level and 150 mm below the floor level

* 750 or 1.000 mm above the floor level and 150 mm below the floor level

Standard length: between 1.600 - 2.000 mm
 length between 1.300 - 1.600 mm: brut price - € 20,-
 length between 1.000 - 1.300 mm: brut price - € 40,-



Art. Nr.:	Without footplate*	With footplate
U 750/ 104	€ 776,79/pc	€ 932,91/pc
U 1000/ 104	€ 802,30/pc	€ 958,42/pc
U 750/ 154	€ 1.173,11/pc	€ 1.415,97/pc
U 1000/ 154	€ 1.211,38/pc	€ 1.454,23/pc
U 750/ 204	€ 1.646,12/pc	€ 1.972,65/pc
U 1000/ 204	€ 1.697,14/pc	€ 2.023,67/pc

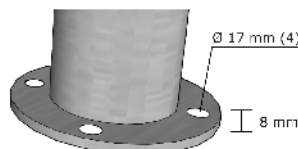
	Description	Price
1.	INOX BUIS / SS TUBE - 3.000 mm Ø 48 mm*	€ 70,41/pc
	INOX BUIS / SS TUBE - 3.000 mm Ø 60 mm	€ 185,20/pc
2.	COMPLETE VOET / COMPLETE FOOT - 8 mm (TUBE Ø 48 mm)	€ 38,27/pc
	COMPLETE VOET / COMPLETE FOOT - 10 mm (TUBE Ø 60 mm)	€ 48,47/pc
3.	VERBINDINGSSTUK / MANCHON / CONNECTION PIECE	€ 12,76/pc
4.	EINDKAP / BOUCHON / END CAP	€ 3,83/pc

* 750 or 1.000 mm above the floor level and 150 mm below the floor level

* Tube Ø 48 mm is not filled with concrete

PRIZEN ONDERHEVIG AAN FLUCTUERENDE GRONDSTOFFPRIJZEN
PRICES SUBJECTED TO FLUCTUATING RAW MATERIAL PRICES
PRIX SONT SUJETS À FLUCTUATIONS DES PRIX DES PRODUITS DE BASE

STANDARDSURFACE: GEGLASSTRAALD (MAT) / MATT / GRENAILLÉ
OPTIONAL SURFACE: GEBORSTELD / BRUSHED / GEBÜRSTET / BRÖSSÉ



ANKER M16
 TURBO CONCRETE
 CHEMIFIX (410 ML)
 PIST (MANUEL)